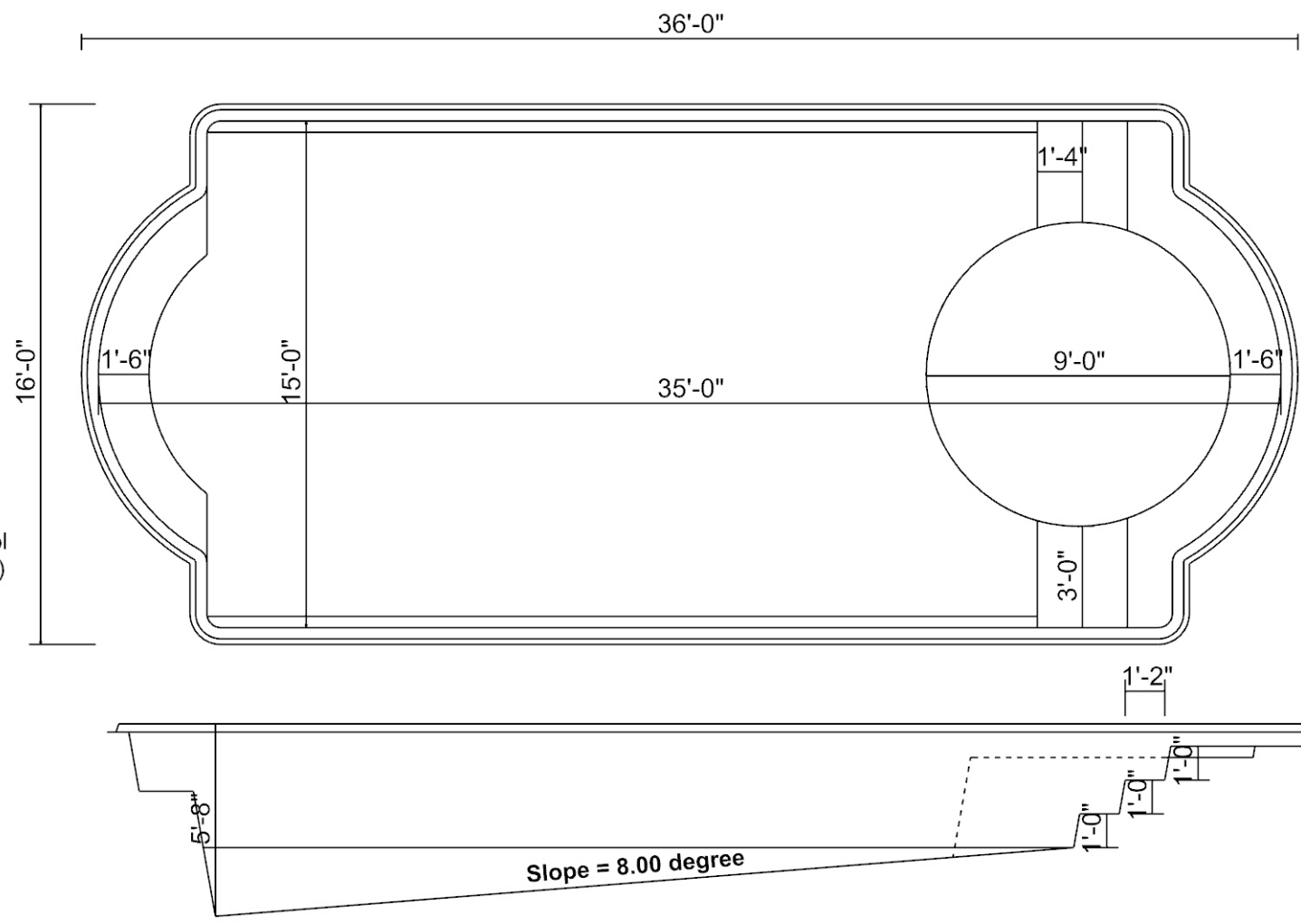


Pattern Construction Purposes Only

# THURSDAY POOLS

**Cathedral 1636**

**Depth: 3'-8" to 5'-8"**



Typical Overdig  
approx 1'  
If using FPA  
(Fiberglass Pool  
Anchor System)  
20" to 24"

(Add approx 1/4" for fiberglass floor thickness)

**NON DIVING POOL**

**PLEASE SEE GENERAL CONSTRUCTION AND  
RECOMMENDED INSTALLATION NOTES**

**General Tolerance +/- 1/2"**

**SPECIFICATIONS:**

Volume:	11,500 gal (est)
Weight:	2,800 lbs (est)
Area:	480 sq. ft. (est)
Perimeter:	106' (est)

**SCALE:**

<b>CONTROL</b>	
Confirmed Adj. Dtm	Confirmed Dig. Schem
Model Input: Cathala	WHK 07/14/17

**THURSDAY POOLS, LLC**  
your weekend starts early with us . . . . .  
840 Commerce Parkway  
Fortville, Indiana 46040  
Note: for technical help please call Thursday Pools LLC at  
Toll Free (877) 929-POOL (7665)  
Local (317) 973-0200

To be filled out by Pool Dealer

<b>POOL NAME</b>	Cathedral 1636
<b>OWNER:</b>	
<b>ADDRESS:</b>	
<b>POOL DEALER:</b>	

To be filled out by Thursday Pools, LLC

<b>Date:</b>	6/17/17
<b>Job No.:</b>	
<b>File No.:</b>	

**Sheet No.**  
D8

Revision No. 01