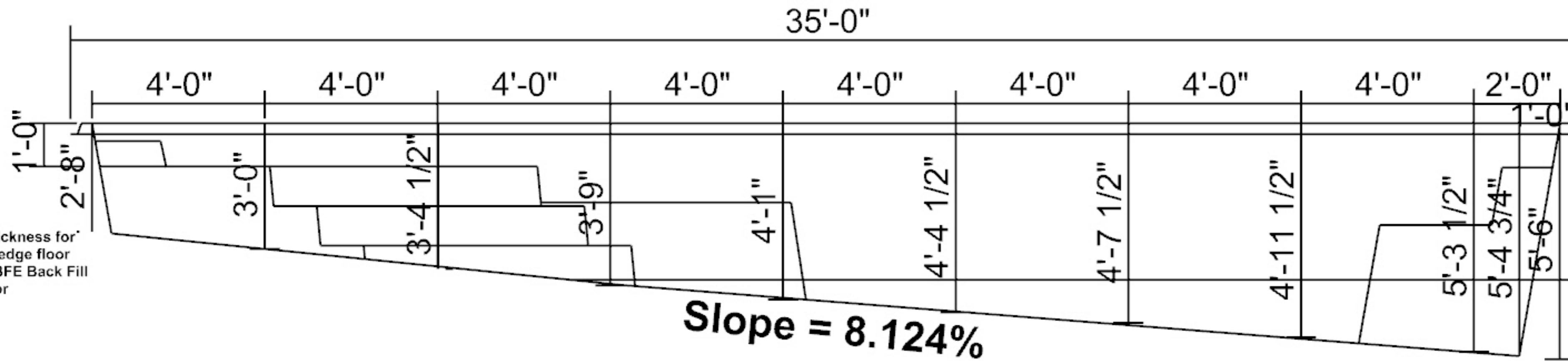
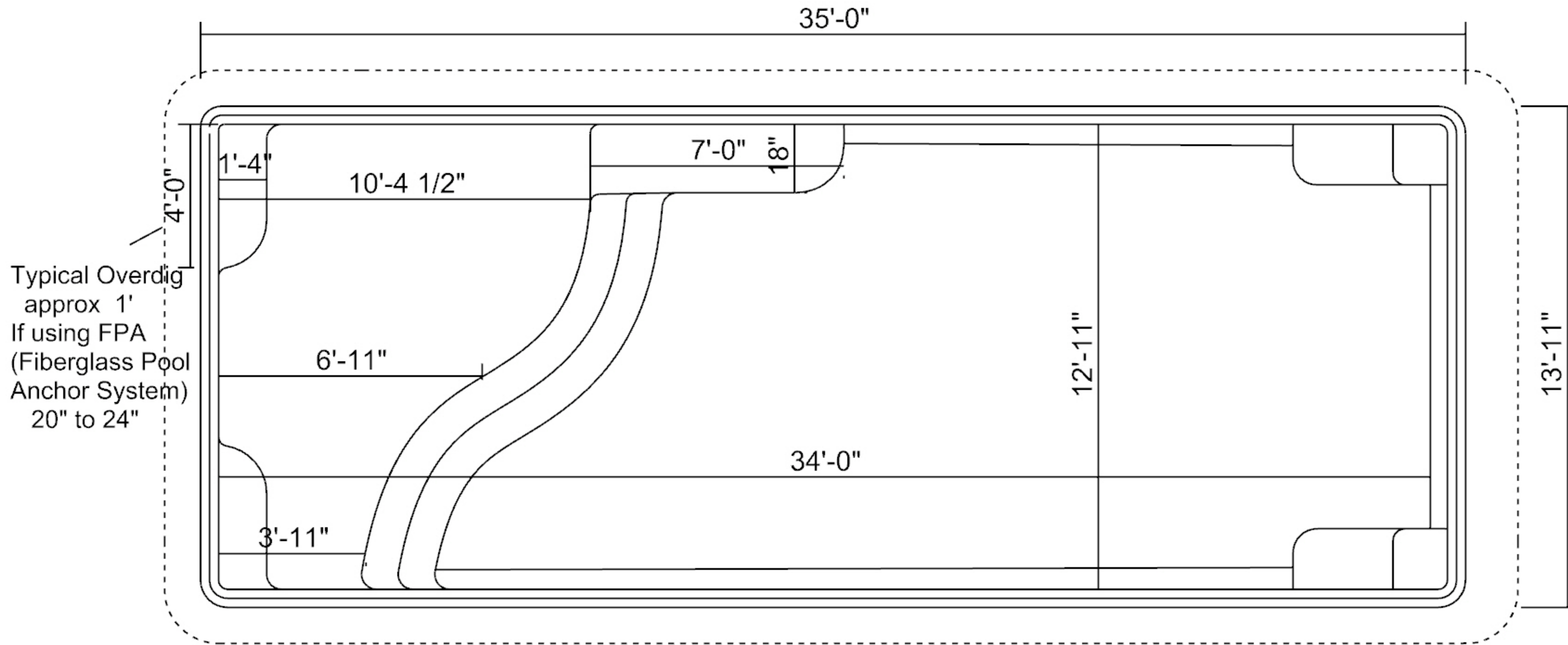


THURSDAY POOLS®

Aspen 1435

Depth: 3'-4" to 5'-6"



(Add approx 1/4" for fiberglass floor thickness and 1" for sun deck)

PLEASE SEE GENERAL CONSTRUCTION AND RECOMMENDED INSTALLATION NOTES

General Tolerance +/- 1/2"

SPECIFICATIONS:
 volume: 8,423 gal (est)
 Weight: 2,100 lbs (est)
 Area: 435 sq. ft. (est)
 Perimeter: 94' (est)
SCALE:

CONTROL		Confirmed Dig Dates	Confirmed Dig Dates
		WET 4/2/18	WET 4/2/18
Meets Input Criteria	Confirmed Act. Date	WKK 12/5/17	WKK 12/5/17
WKK 2/25/17	WKK 2/25/17		

NON DIVING POOL

THURSDAY POOLS LLC
 your weekend starts early with us . . .
 840 Commerce Parkway
 Fortville, Indiana 46040
 Note: for technical help please call Thursday Pools LLC at
 Toll Free (877) 928-POOL (7665)
 Local (317) 973-0200

POOL NAME:	Aspen 1435
OWNER:	
ADDRESS:	
POOL DEALER:	

To be filled out by Thursday Pools LLC	Date:	4/2/18
Job No.		
File No.		

Sheet No.
D8
 Revision No. 01