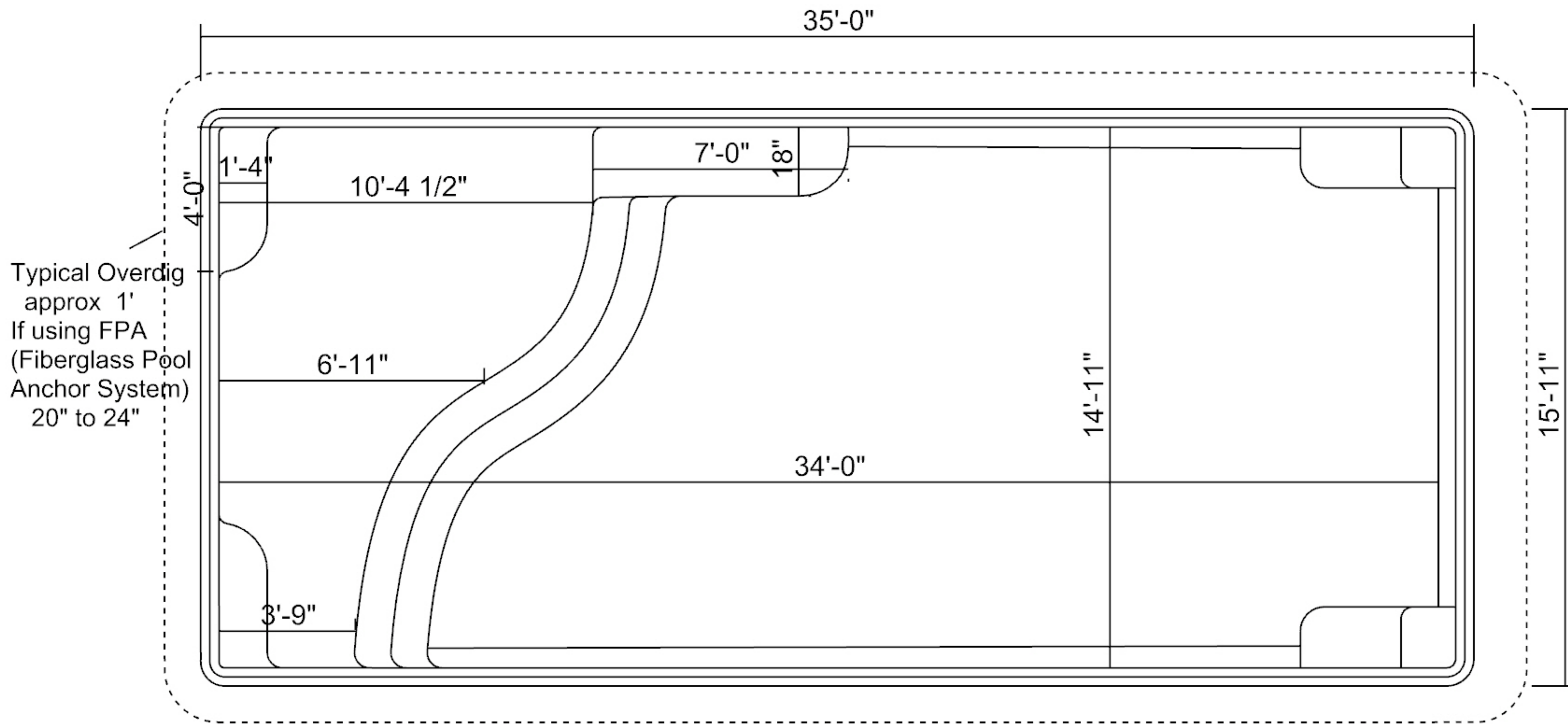


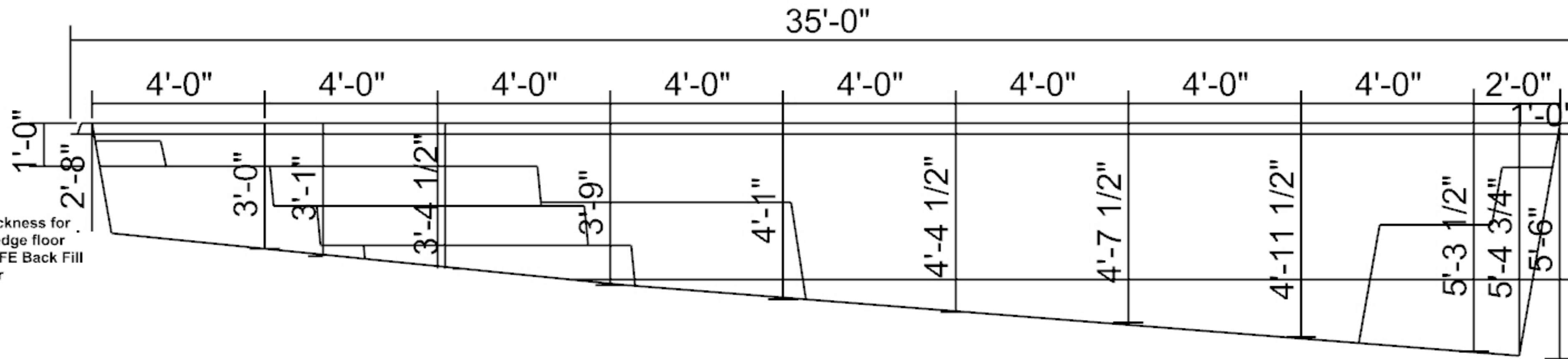
THURSDAY POOLS®

Aspen 1635

Depth: 3'-4" to 5'-6"



Typical Overdig approx 1'
If using FPA (Fiberglass Pool Anchor System) 20" to 24"



Note: add 1" thickness for tanning ledge floor without BFE Back Fill Eliminator

(Add approx 1/4" for fiberglass floor thickness and 1" for sun deck)

SPECIFICATIONS:

Volume:	10,140 gal (est)
Weight:	2,300 lbs (est)
Area:	505 sq. ft. (est)
Perimeter:	98' (est)

SCALE:

CONTROL

Meets Input Criteria	Confirmed Act. Dim.	Confirmed Dig. Spikes
WHK 2/25/17	WHK 9/25/17	JH 3/25/18

NON DIVING POOL

THURSDAY POOLS LLC
your weekend starts early with us . . .
840 Commerce Parkway
Fortville, Indiana 46040
Note: for technical help please call Thursday Pools LLC at Toll Free (877) 928-POOL (7665)
Local (317) 973-0200

To be filled out by Pool Dealer

POOL NAME:	Aspen 1635
OWNER:	
ADDRESS:	
POOL DEALER:	

To be filled out by Thursday Pools LLC

Date:	3/25/18
Job No.:	
File No.:	

Sheet No. D8
Revision No. 01

PLEASE SEE GENERAL CONSTRUCTION AND RECOMMENDED INSTALLATION NOTES

General Tolerance +/- 1/2"