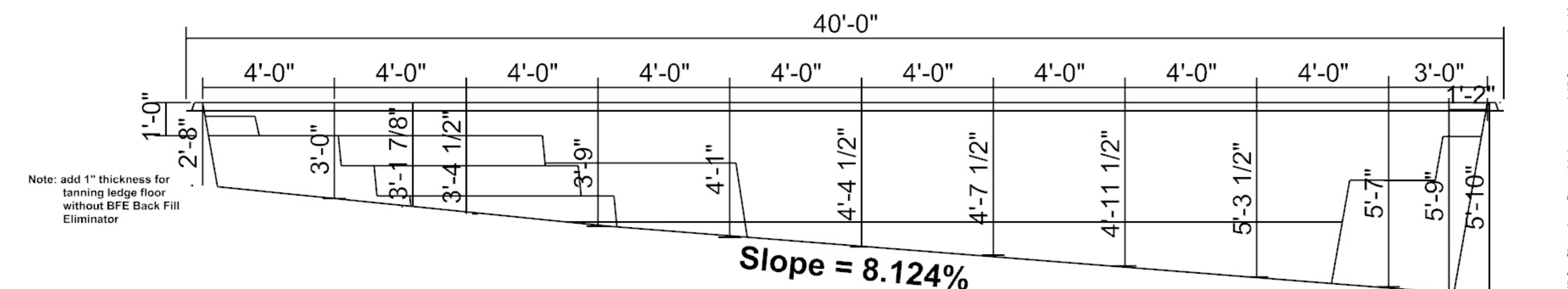
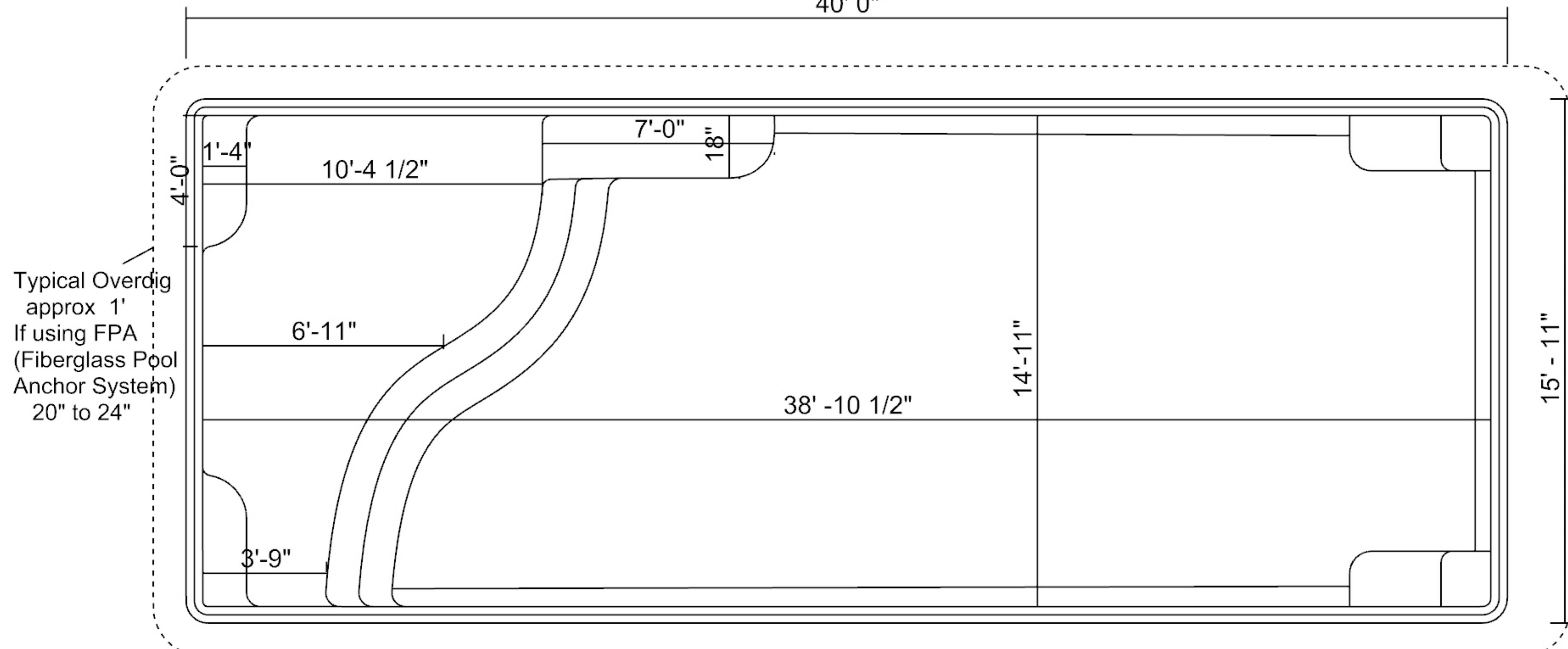


THURSDAY POOLS

Aspen 1640

Depth: 3'-4" to 5'-10"



(Add approx 1/4" for fiberglass floor thickness and 1" for sun deck)

PLEASE SEE GENERAL CONSTRUCTION AND RECOMMENDED INSTALLATION NOTES

General Tolerance +/- 1/2"

SPECIFICATIONS:

Volume:	13,090 gal (est)
Weight:	2,800 lbs (est)
Area:	580 sq. ft. (est)
Perimeter:	108' (est)

SCALE:

CONTROL

Meets Input Criteria	Confirmed Act. Dim.	Confirmed Dig. Specs.
WHK 2/25/17	WHK 3/19/17	JH 2/1/18

NON DIVING POOL

THURSDAY POOLS LLC
 your weekend starts early with us . . .
 840 Commerce Parkway
 Fortville, Indiana 46040
 Note: for technical help please call Thursday Pools LLC at
 Toll Free (877) 928-POOL (7665)
 Local (317) 973-0200

POOL NAME:	Aspen 1640
OWNER:	
ADDRESS:	
POOL DEALER:	

To be filled out by Thursday Pools, LLC

Date:	2/1/18
Job No.:	
File No.:	

Sheet No. D8
 Revision No. 01