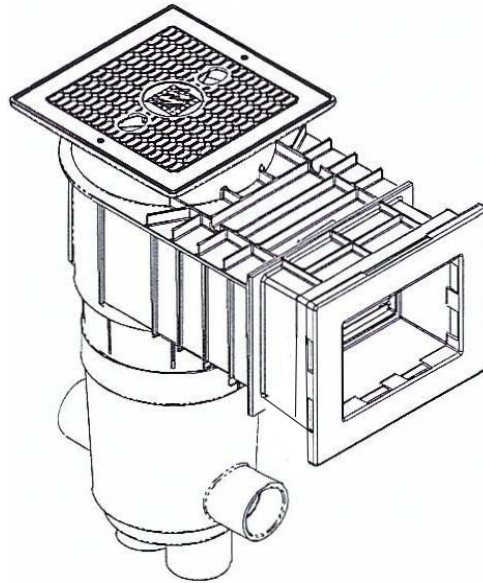


LUCKY 7 SEVEN SKIMMER

By Thursday Pools

LUCKY 7 SKIMMER™ FOR FIBERGLASS POOLS

INSTALLATION & OPERATING GUIDE



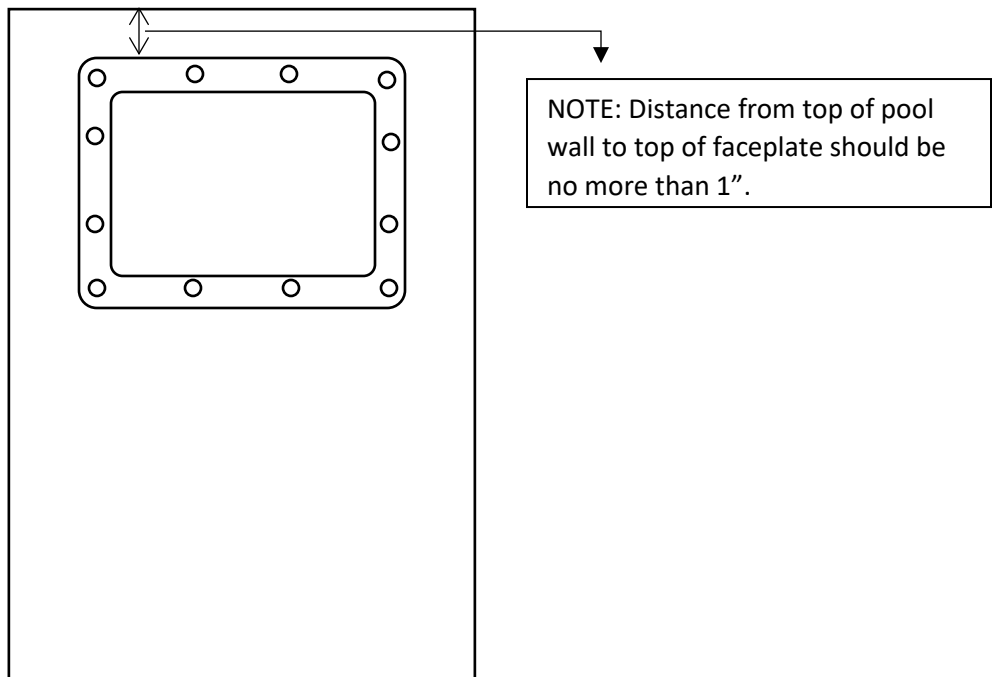
SKIMMER PART NO.	
540-8610TP (White)	540-8617TP (Grey)

TABLE OF CONTENTS

Section	Page
Mounting Skimmer to The Pool Wall.....	2-3
Operation of Skimmer.....	4
Installation of Optional Equipment.....	5
Winterizing Skimmer.....	5
Trouble Shooting.....	6
Dimensions.....	6
Replacement Parts & Accessories.....	7

Section 1: Mounting Skimmer to Pool Wall

- 1) Locate the best position for optimum skimmer performance relative to water flow and wind direction. Whenever possible avoid placing the skimmer where there are thicker portions of the fiberglass pool wall like cored portions, lift points, etc...by visually inspecting the backside of the pool prior to determining final location.
- 2) Place the flat surface of the faceplate (**Part No. TP5193540**) on the pool wall. Ensure the top of the faceplate is level and a maximum 1 inch of the top of the fiberglass pool wall. Once in place, mark and outline the center opening with a black marker.

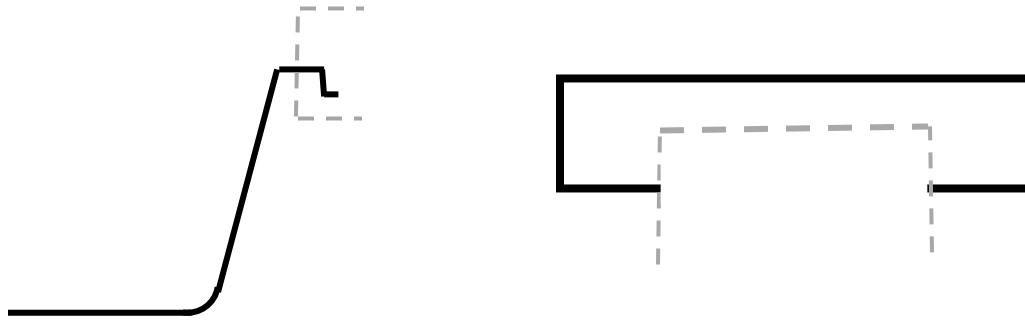


- 3) Cut out pool wall center opening. Cut along the outside of the marked line of the center opening. Refer to the table below for guidance.

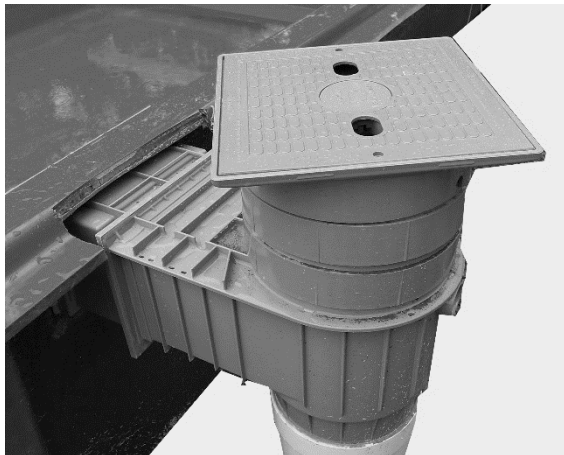
LUCKY 7 SKIMMER OPENING			
HEIGHT		WIDTH	
MAX	MIN	MAX	MIN
7 11/16"	7 9/16"	9 7/8"	9 3/4"

- 4) Place the faceplate in the opening. Ensure proper fit and level. Adjust if necessary.
- 5) With the faceplate fitting securely inside the opening, mark the skimmer mounting holes.
- 6) Using a 1/4" diameter drill bit, drill out the holes you marked in Step 5.

- 7) Grind down the backside of the pool wall until smooth and even thickness. Wipe both front and backside area of the pool wall with acetone.
- 8) Place the skimmer body up to the opening and note how much of the pool flange you will need to cut out in order for the skimmer to sit flush. Cut out the necessary portion of the pool flange.



- 9) Using only 100% Silicone, generously apply it to the backside of the faceplate and the front skimmer. Cover all the holes.
- 10) Secure the skimmer to the pool wall by using the 1¼" or 1½" phillips flat head screws provided. Final tightening of screws should be by hand. Wipe away any excess silicon that appears around the faceplate.
- 11) Generously apply multiple layers of silicone around the backside of the skimmer where it meets the pool wall.

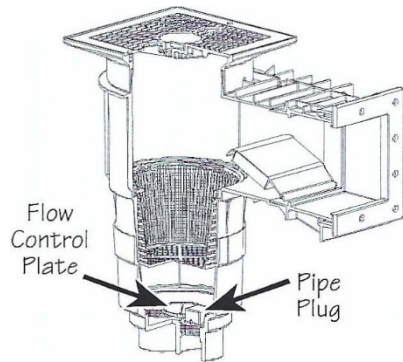


8: Cut out necessary portion of the flange.



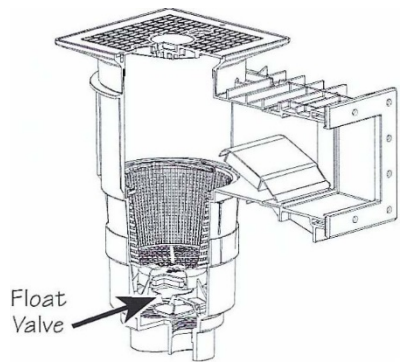
11: Generously apply silicone to the backside of the skimmer as shown.

Section 2: Operation of Skimmer



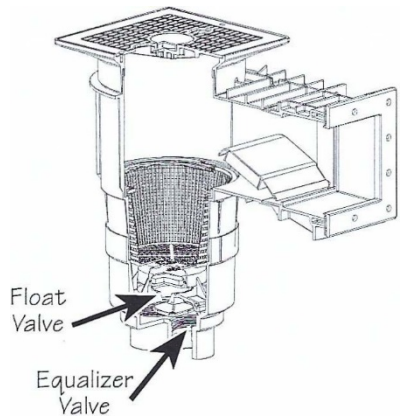
BASIC UNIT

FLOW ADJUSTMENT -To adjust the flow through the skimmer, move the flow control plate to close the port to the pump to decrease flow, or move the plate to open the port to the pump to increase flow through skimmer.



SKIMMER WITH FLOAT VALVE ONLY

FLOAT VALVE OPERATION -The float valve assembly is designed to prevent any air from entering the pump line when the water level gets too low. If the water level drops below the skimmer opening, or if water flow is obstructed, the float inside the valve will automatically close off the skimmer which will cause the skimmer to draw its water supply of the main drain line only, thus preventing air lock in the pump. When the pump is shut off, and the water level is corrected, the flow valve will open back up automatically, allowing normal skimming operation. To adjust the flow with the float valve, slide the flow control plate, on the bottom of the float valve, back and forth until desired flow is achieved.



SKIMMER WITH FLOAT AND EQUALIZER VALVES

EQUALIZER LINER-An equalizer line is used when you have two or more skimmers plumbed into a common suction line. The operation of the float valve is the same, but since you have more than one skimmer connected to the suction line, the equalizer line will help prevent air lock in the pump.

Section 3: Installation of Optional Equipment

A. Float Valve

1. Press the float valve gasket (Item #6), flat side up, into the groove at the bottom of the skimmer.
2. Place the float valve (Item #5) onto the gasket and press to seal the gasket.
3. To adjust the flow through the skimmer, slide the flow control plate, on the bottom of the float valve, over the hole to reduce the flow, or away from hole to increase flow.

B. Equalizer Valve (for part numbers 540-8400 and 40-8500 only)

1. Place o-ring (Item #13) into the o-ring groove on the bottom side of the equalizer valve.
2. Thread the equalizer valve (Item #12) into the front port of the skimmer.
3. Using the equalizer valve wrench (Item #11), tighten the equalizer valve until valve is seated. The o-ring is seated.

C. Face Plate Cover

1. Center the face plate cover (Item #7) over the face plate and press into place.

D. Vacuum Plate

1. Remove the lid from the skimmer by unscrewing the two (2) screws and lifting the lid off the skimmer.
2. If you installed a float valve (Item #5), remove it by removing the basket then removing the float valve. Also, if you installed an equalizer line or main drain, you must block off that port by turning the flow control plate (Item #4) over that port. Replace the basket.
3. Place the vacuum plate (Item #16) over the skimmer basket.
4. Fill your vacuum hose with water and slide it onto the vacuum plate.
5. Be sure to replace the lid and secure it with the two (2) screws when possible. Failure to do so could result in a serious personal injury.

Section 3: Winterizing Skimmer

1. Lower the water level to the base of the skimmer faceplate.
2. Winterize the skimmer lines.
3. Plug both ports of the skimmer line. Waterway plastic NPT Plugs can be used.
4. Water inside the skimmer well can freeze and put pressure on the skimmer walls. Use a Skimmer Plug™, Gizmo, or drop a gallon jug 1/3 full of antifreeze into the skimmer to protect it from freeze damage.

NOTE:

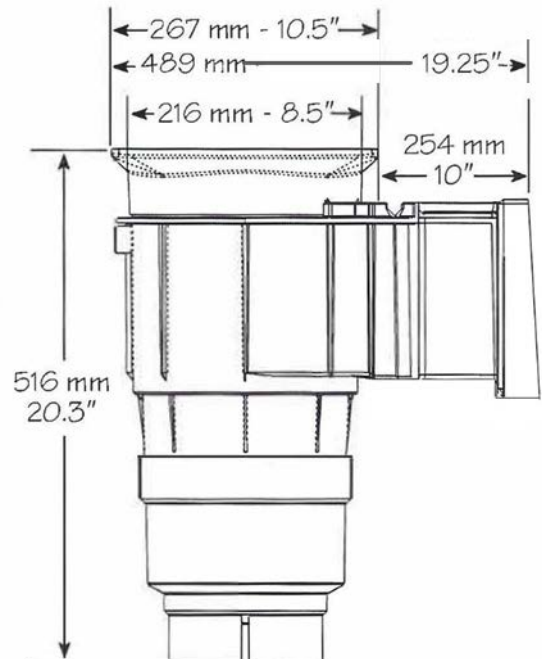
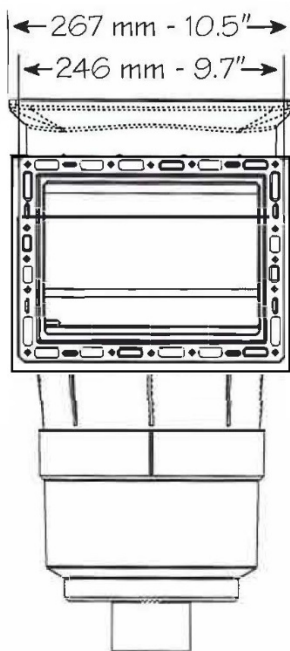
Automatic Pool Covers are meant to rest on top of the pool water. The pool water level should be returned to normal water level.

Section 4: Trouble Shooting

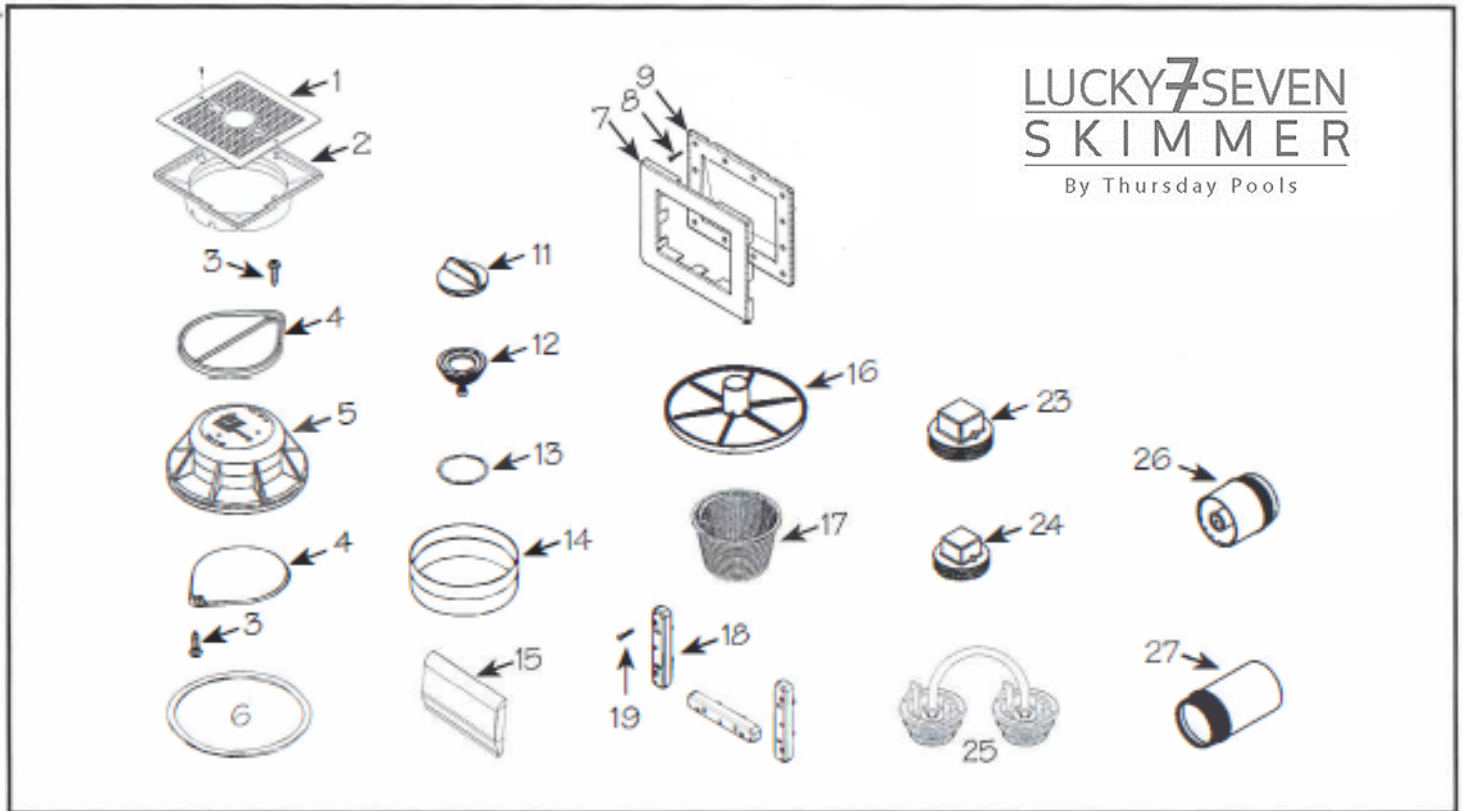
Problem	Cause	Remedy
Pool surface not clean, inadequate skimming effect.	Skimmer basket full of debris, improper water flow through the skimmer, water level incorrect in pool, poor water circulation	Clean skimmer basket, open flow control plate, raise or lower water level, increase surface water circulation.
Pool surface clean, but bottom is dirty.	Main drain obstructed, pool water circulation.	Clear main drain of debris, increase circulation at bottom of pool.
Skimmer with Venturi Pump not getting water.	Valve in off position.	Open valve to ¼ position.

Section 5: Dimensions

LUCKY 7 SEVEN
SKIMMER
By Thursday Pools



Section 6: Replacement Parts and Accessories



ITEM	PART NUMBER	DESCRIPTION	QUANTITY
1	540-6490TP	Square Lid with Thursday Pools Insert	1
2	519-9510	Square Collar	1
3	819-4350	#8 x 5/8" Phillips Pan Head Screw	1
4	519-6470	Flow Control Plate	1
5	542-6200	Float Valve Assembly (Optional)	1
6	711-6400	Float Valve Gasket (Optional)	1
7	519-9520	Faceplate Cover	1
8	819-6945	#12 x 1 1/4" Phillips Flat Head Screw	12
9	519-9530TP	Face Plate for Fiberglass Pools	1
11	611-4600	Wrench for Equalizer Valve (Optional)	1
12	540-6010	Equalizer Valve Assembly (Optional)	1
13	805-0224	Equalizer Valve O-ring	1
14	519-6560	Collar Extension Ring (Optional)	1
15	550-9550	Weir Door Assembly	1
16	519-6480	Vacuum Plate (Optional)	1
17	542-3240	Basket with Handle	1
18	713-9520	Mounting Flange Spacer	3
19	819-0030	#12 x 1 1/4" Phillips Pan Head Screws	4
23	715-9910	2" NPT Plug	1
24	715-1230	1 1/2" NPT Plug	1
25	540-6500	Pressure Test Kit (Optional)	1
26	542-9610	Venturi Skimmer Nozzle Fitting	1
27	519-9650	Sleeve Outlet Port Fitting	1